

SERIES 600 SYSTEM

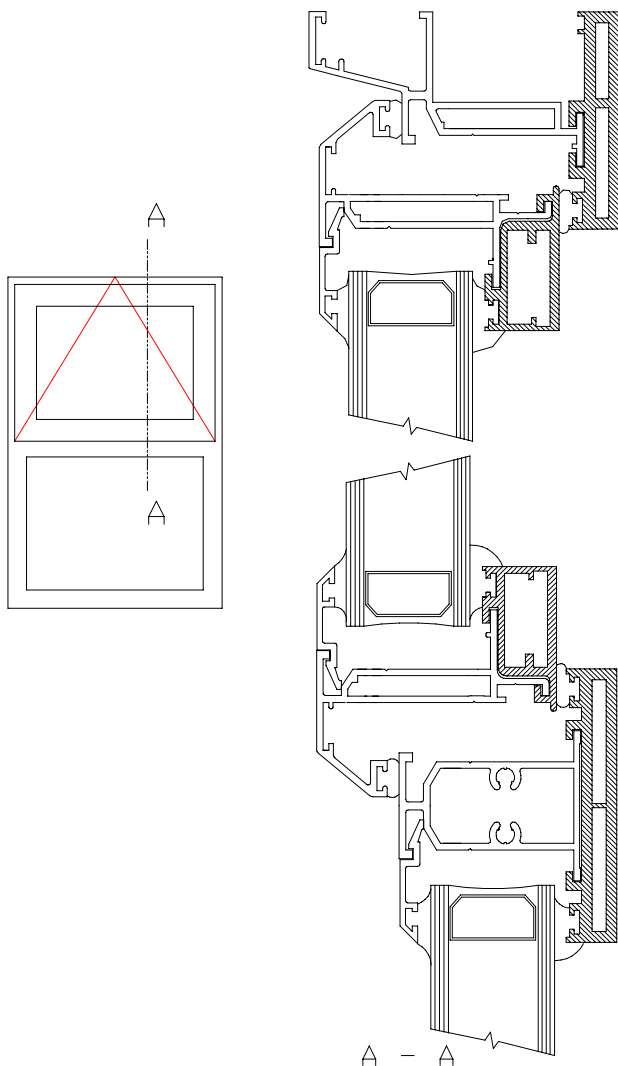
The AM Profiles' ALARCLAD system is composite in design, incorporating aluminium structural extrusions externally and hollow PVC-U profiles internally. The aluminium and PVC-U are sleeved together to produce a permanent bond. The system combines the strength and rigidity of aluminium with the thermal performance of PVC-U and is ideal for dual colour projects.

INTERNAL

PVC-U internal box sections are 11.5mm deep and are extruded from high impact U.V. stabilised material, white as standard or wrapped with PVC-U veneers.

EXTERNAL

Aluminium extruded from alloy 6063 T6 in accordance with BS1474-1987. Polyester powder coated to BS 6496 - 1984 (Full RAL and BS Range available). Anodised to BS 3987 or wrapped with PVC-U veneers onto powder paint.



SYSTEM DETAILS

The Alarclad Casement window offers very slim sight-lines and is available in a wide range of styles:-

- Top Hung Open Out
- Side Hung Open Out
- Fixed Panes

Weather-stripping with Schlegel "Q-Lon".

Furniture and fittings

Securistyle "Defender" stainless steel friction hinges, or equal and approved. Hinges can incorporate a restrictor to limit the opening to 100mm.

Shootbolt or Espagnolette with a choice of colour coated and suited handles (locking or non locking).

Background Trickle Ventilation options.

GLAZING

Single, double or triple glazed options in accordance with BS 6262 from 4mm - 28mm. External and internally beaded options are available.

SECURITY

The glazing and hardware of the window has been independently tested to meet the BS7950.

PERFORMANCE

All ALARCLAD windows are manufactured by trained and approved fabricators. Series 600 windows have been independently tested and achieved the following results.

AIR INFILTRATION

Samples satisfied the requirements of BS6375: Part 1 - 1989, achieving the highest pressure class of 600Pa Class C.

WATER PENETRATION

Samples achieved the requirements of BS6375: Part 1 - 1989.

WIND RESISTANCE

Samples achieved the requirements of BS6375: - Part 1 - 1989, achieving a test pressure class of Severe.

Comprehensive test report details on request.

FIRE ESCAPE

The ALARCLAD casement window allows for fire egress and easy clean within the same window.

ANCILLARY PROFILES

A range of Cills, Frame Extension and Coupling Profiles are available.

AM Profiles Ltd reserve the right to change designs and specification without prior notification.

Drawing not to scale