

SCOPE

The Design-5 sliding folding door system from AM Profiles is a premier composite system. It has been designed for strength and is proportioned to meet the requirements of specifiers looking for sliding folding solutions in medium to large residential and commercial applications. Stainless steel bearings in the pivots and carriers allow even the largest doors to be moved quietly and with fingertip ease between the open and closed positions.

STYLES

AM Profiles' composite sliding folding door can be produced with or without midrails, muntin bars or slim-line astragal bars and have glazed or panelled areas so facilitating a range of aesthetically pleasing design options. To form a screen arrangement the sliding folding door can easily be connected to windows or hinged doors manufactured from one of AM Profiles' Design-5 composite systems.

INTERNAL TIMBER

The timber sections of the door are jointed in traditional mortise and tenoned fashion. FSC accredited engineered Pine is offered but some hardwoods can be obtained dependant on environmental impact. Choice of aesthetic detail is possible subject to volume.

TIMBER FINISH

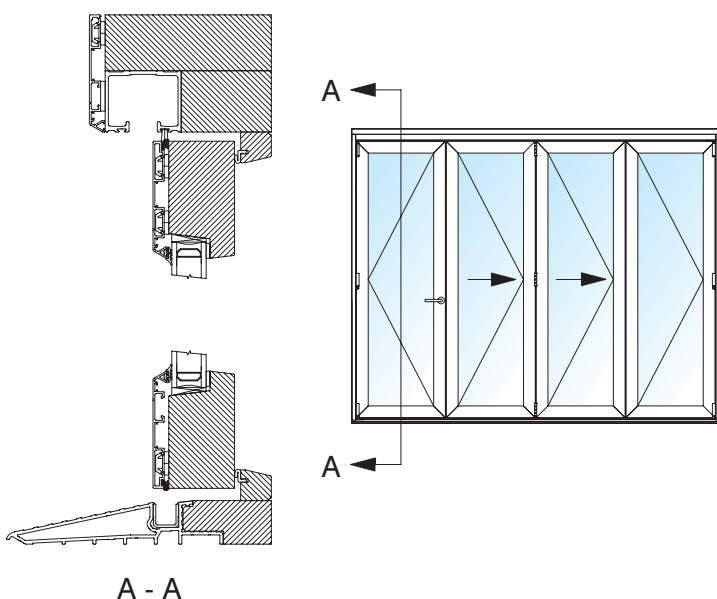
Water based preservative primer and clear or opaque finish up to 90 microns.

EXTERNAL ALUMINIUM

Aluminium extruded from alloy EN AW-6063 T6 in accordance with BS EN-755. Polyester powder coated to BS 6496-1984 with full RAL and BS range available or anodised to BS 3987.

SYSTEM DETAILS

The Design-5 sliding folding door is available fully fabricated by AM Profiles and registered manufacturers or can be supplied in a 'flat pack' kit form. The aluminium profiles come in bar lengths or as aluminium squares to joinery manufacturers.



Having constructed timber and aluminium squares, the aluminium is attached to the timber using purpose designed nylon clips. The aluminium component can only be removed if the nylon clips are turned through 90 degrees by the use of a special tool. The system is fully drained and vented to ensure long lasting sealed unit and timber performance.

FURNITURE AND FITTINGS

The Design-5 composite sliding folding door accommodates the Centor hardware system which offers a high degree of vertical and lateral adjustment. Panels up to 3000mm high by 1000mm wide, and 80kg in weight can be securely installed with stainless steel hardware. Support track and guide channels are produced in aluminium and supplied in an anodised finish.

SPECIFICATIONS

max panel weight	80kg
max opening	16000mm
max panel (sash) height	3000mm
max panel (sash) width	1000mm
max number of panels	8 each way (16 total)

Stainless steel, aluminium and engineering plastics are used throughout to minimise the effects of corrosion and environmental discoloration. Screw fixings are concealed and hinge pins are retained by hidden fasteners. Centor's hardware system provides the strength, tough good looks and security that you expect in a premier product.

The standard lock used on the hinged door is the FUHR 856 Multisafe lever operated latch with dead bolt and 2 number security bolts.

Trickle ventilation can be offered.

GASKETS

Dual component solid / cellular EPDM compression gasket gives a complete and effective seal. Please consult the drawings on this document to review the gasket positions on the doors.

GLAZING

A 28mm overall glazing thickness for glass or panels is offered as standard. All sealed units should be correctly 'toe and heel' packed. The aluminium cladding retains the glass but high bond glazing tape is also used as an extra security feature on doors fabricated by AM Profiles.

PERFORMANCE

As the system is hung from the head it is imperative that no downward deflection of the beam is allowed. The Design-5 composite door range is designed to be a low maintenance, high performance door for low to medium 'traffic' situations.

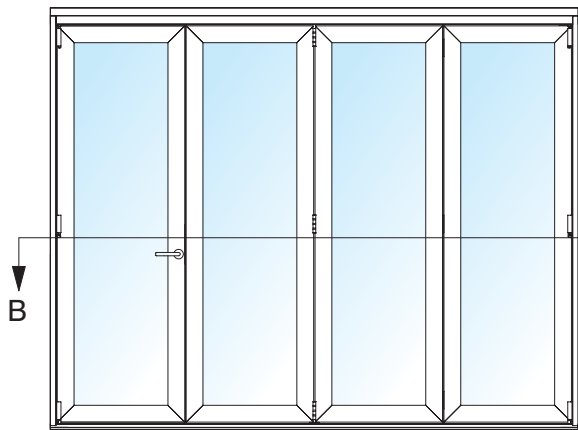
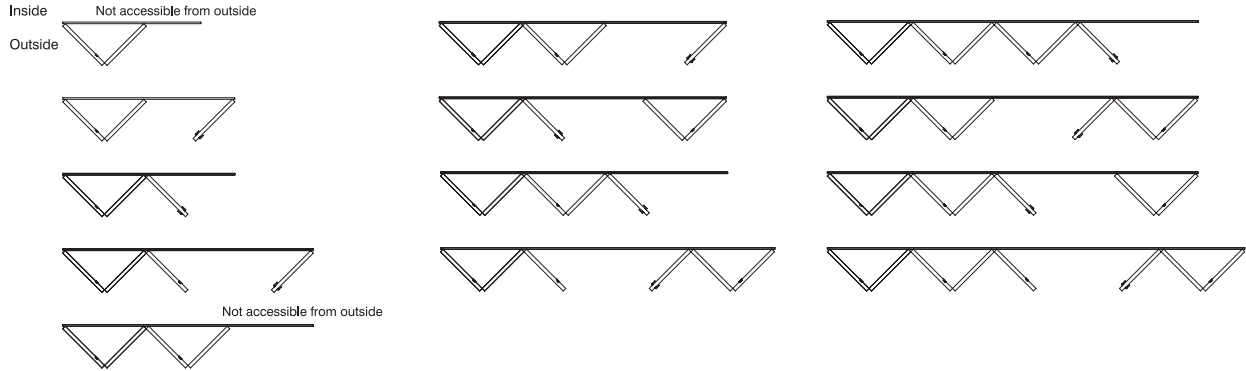
ANCILLARY PROFILES

Frame extenders and coupling arrangements are available. For further information please consult our Technical Team.

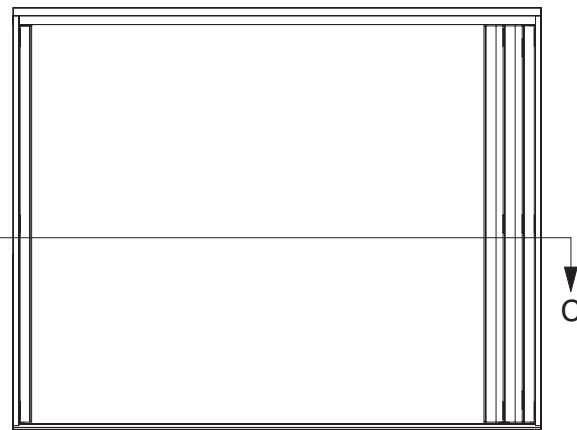
Also available in AM Profiles' composite range – windows – hinged doors and curtain wall.

COMMON OPENING CONFIGURATIONS

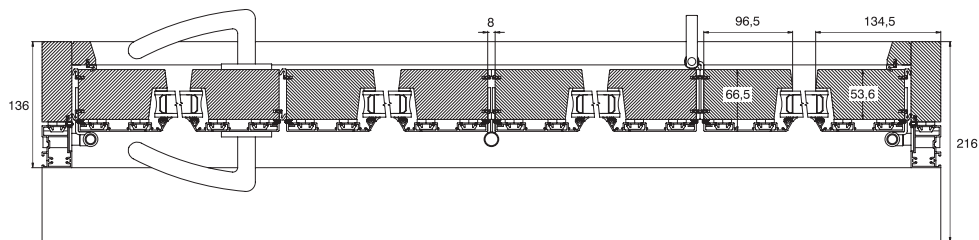
Most of the following arrangements can be produced handed the opposite way.



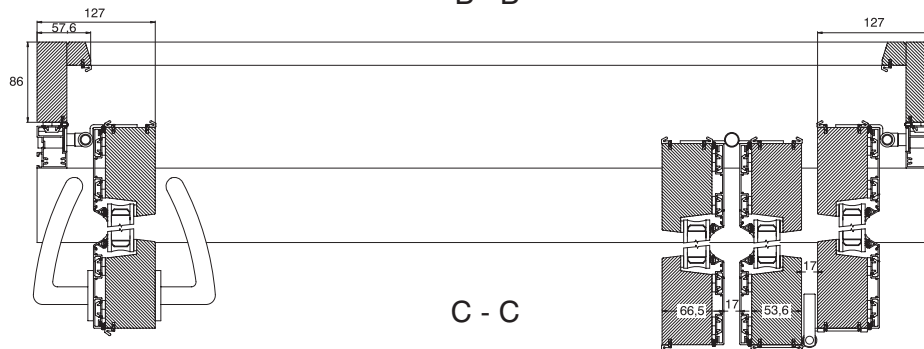
4 Panel Closed



4 Panel Open



B - B



C - C

Drawings not to scale.

Due to our policy of continued product improvement, we reserve the right to change designs and specifications without prior notice.



Tel: 01246 856000
 Fax: 01246 855105
 E-mail sales@amprofiles.com
 www.amprofiles.com