
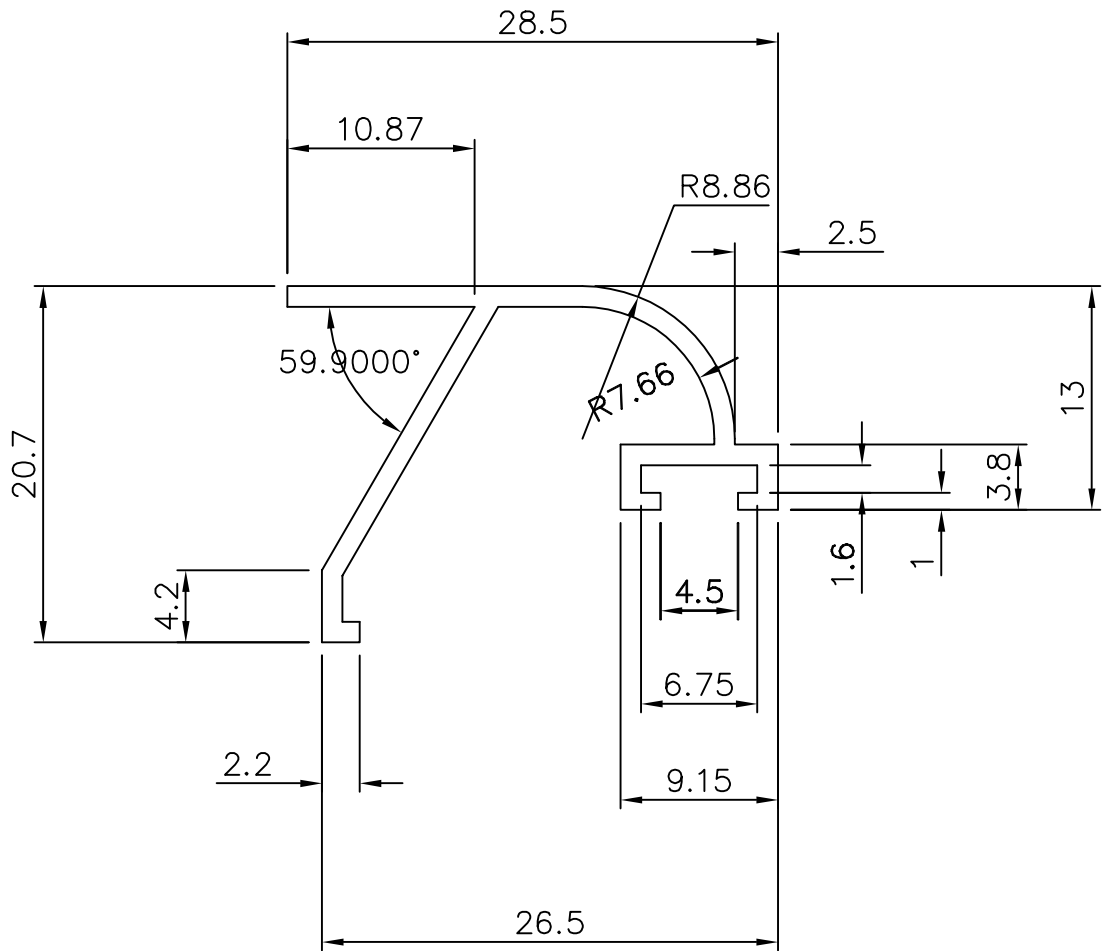
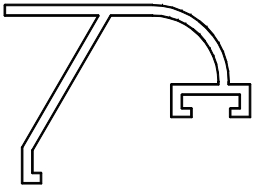


PRODUCT DESCRIPTION ALUMINIUM THERMAL GLAZING	DRAWN BY CJR	SCALE 1: At A4
	DATE 14.01.08	Rev. NEW
	TEL 01246 856000 FAX 01246 855105	DRAWING No. 16390
	FILE NAME DIE DRAWING	

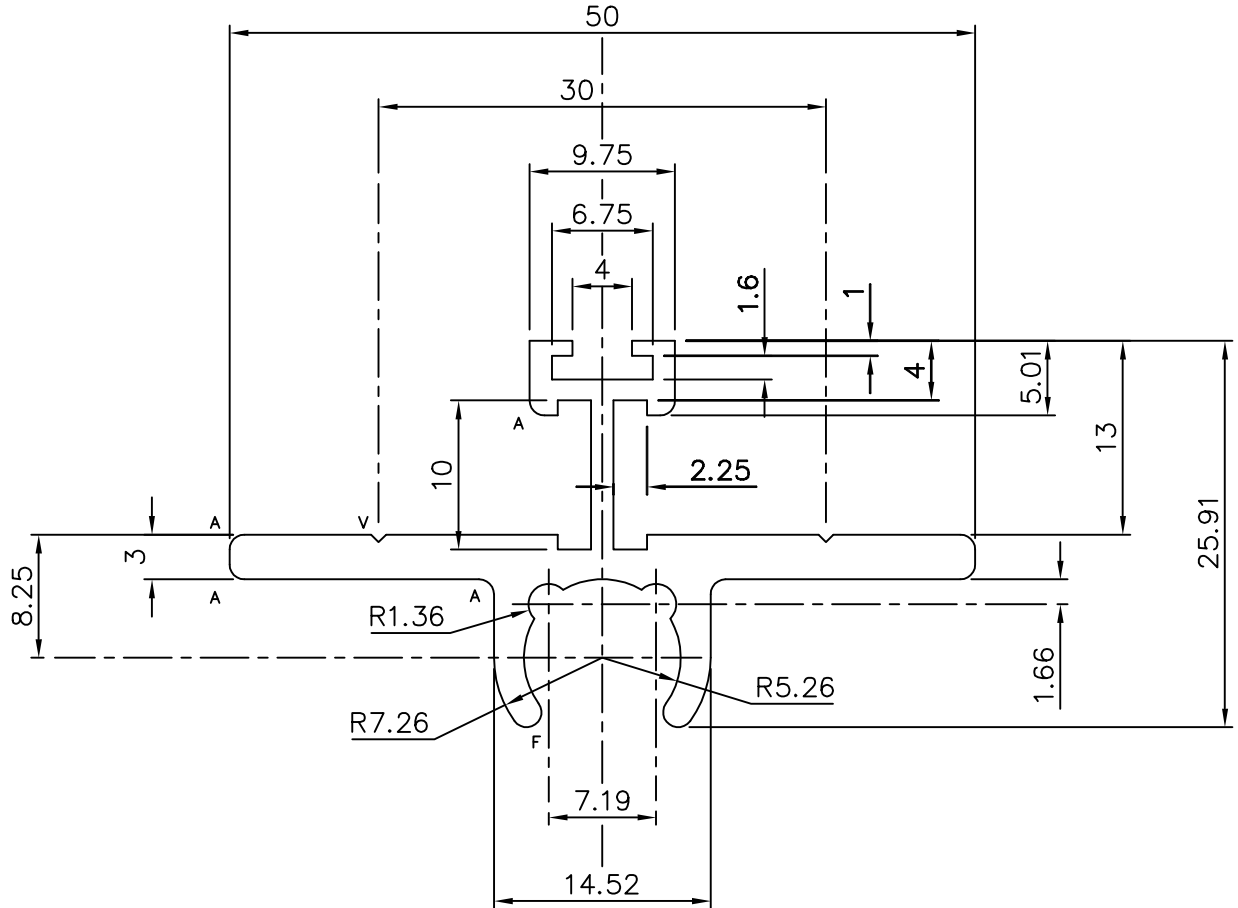
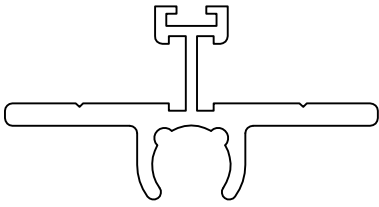
© AM PROFILES LIMITED
 THIS DRAWING IS THE SUBJECT OF COPYRIGHT WHICH VESTS
 IN AM PROFILES LIMITED. IT IS AN INFRINGEMENT OF COPYRIGHT
 TO REPRODUCE THIS DRAWING BY WHATEVER MEANS, INCLUDING
 ELECTRONIC, WITHOUT THE EXPRESS WRITTEN CONSENT OF
 AM PROFILES LIMITED.
 ALL RIGHTS RESERVED.




UNSPEC.THK.1.2

PRODUCT DESCRIPTION ALUMINIUM THERMAL GLAZING	DRAWN BY CJR	SCALE 1: At A4
	DATE 14.01.08	Rev. NEW
	DRAWING No. 53626	DIE DRAWING
	TEL 01246 856000	
	FAX 01246 855105	
FILE NAME DIE DRAWING		

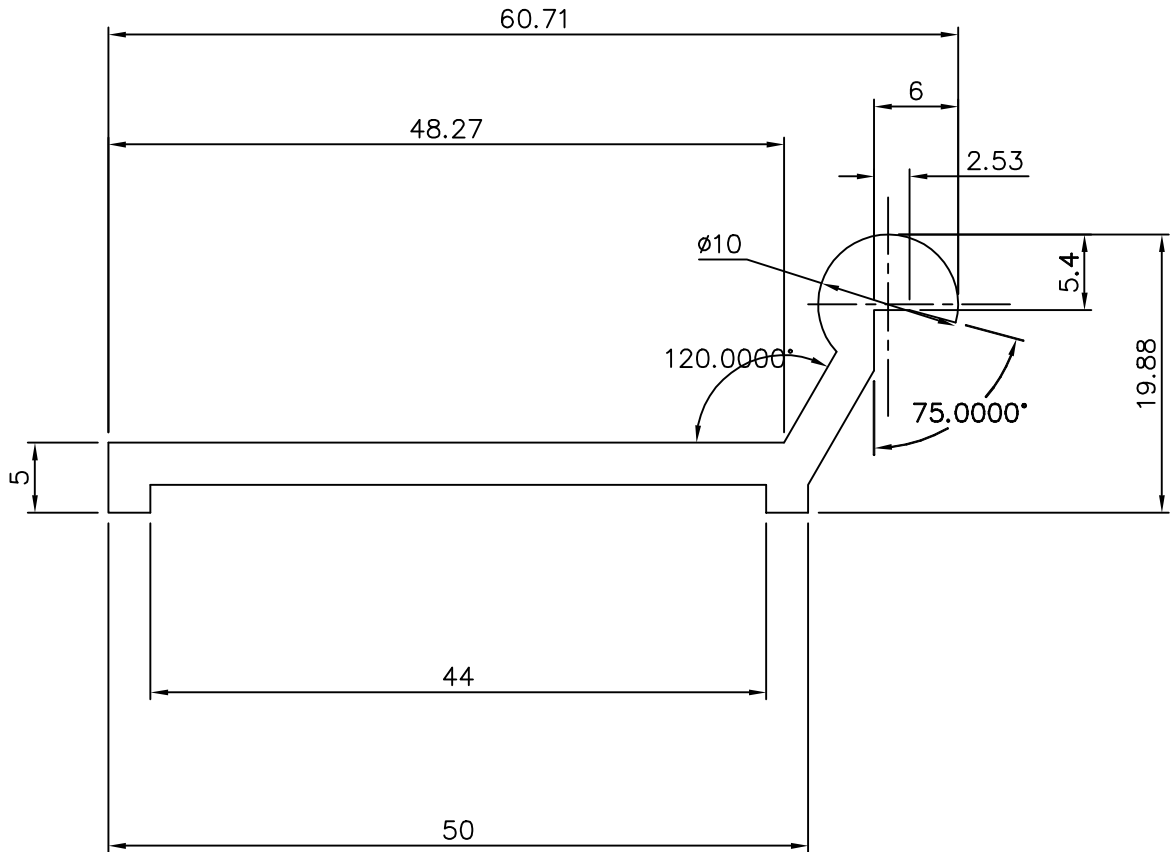
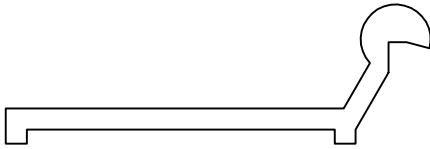
© AM PROFILES LIMITED
 THIS DRAWING IS THE SUBJECT OF COPYRIGHT WHICH VESTS
 IN AM PROFILES LIMITED. IT IS AN INFRINGEMENT OF COPYRIGHT
 TO REPRODUCE THIS DRAWING BY WHATEVER MEANS, INCLUDING
 ELECTRONIC, WITHOUT THE EXPRESS WRITTEN CONSENT OF
 AM PROFILES LIMITED.
 ALL RIGHTS RESERVED.




A=1 RAD
 F=FULL RAD
 V=0.5x90°GROOVE
 UNSPEC.THK.1.5
 SECT.IS SYMMETRICAL

PRODUCT DESCRIPTION ALUMINIUM THERMAL GLAZING	DRAWN BY CJR	SCALE 1: At A4
	DATE 14,01,08	Rev. NEW
	DRAWING No. 53627	FILE NAME DIE DRAWING
	TEL 01246 856000 FAX 01246 855105	

© AM PROFILES LIMITED
 THIS DRAWING IS THE SUBJECT OF COPYRIGHT WHICH VESTS
 IN AM PROFILES LIMITED. IT IS AN INFRINGEMENT OF COPYRIGHT
 TO REPRODUCE THIS DRAWING BY WHATEVER MEANS, INCLUDING
 ELECTRONIC, WITHOUT THE EXPRESS WRITTEN CONSENT OF
 AM PROFILES LIMITED.
 ALL RIGHTS RESERVED.



UNSPEC.THK.3

PRODUCT DESCRIPTION ALUMINIUM THERMAL GLAZING	DRAWN BY CJR	SCALE 1: At A4
	DATE 14.01.08	Rev. NEW
	DRAWING No. 53628	FILE NAME DIE DRAWING
	TEL 01246 856000 FAX 01246 855105	

© AM PROFILES LIMITED
 THIS DRAWING IS THE SUBJECT OF COPYRIGHT WHICH VESTS
 IN AM PROFILES LIMITED. IT IS AN INFRINGEMENT OF COPYRIGHT
 TO REPRODUCE THIS DRAWING BY WHATEVER MEANS, INCLUDING
 ELECTRONIC, WITHOUT THE EXPRESS WRITTEN CONSENT OF
 AM PROFILES LIMITED.
 ALL RIGHTS RESERVED.