


GENERAL THICKNESS = 2.5

4 = SCREW EYES

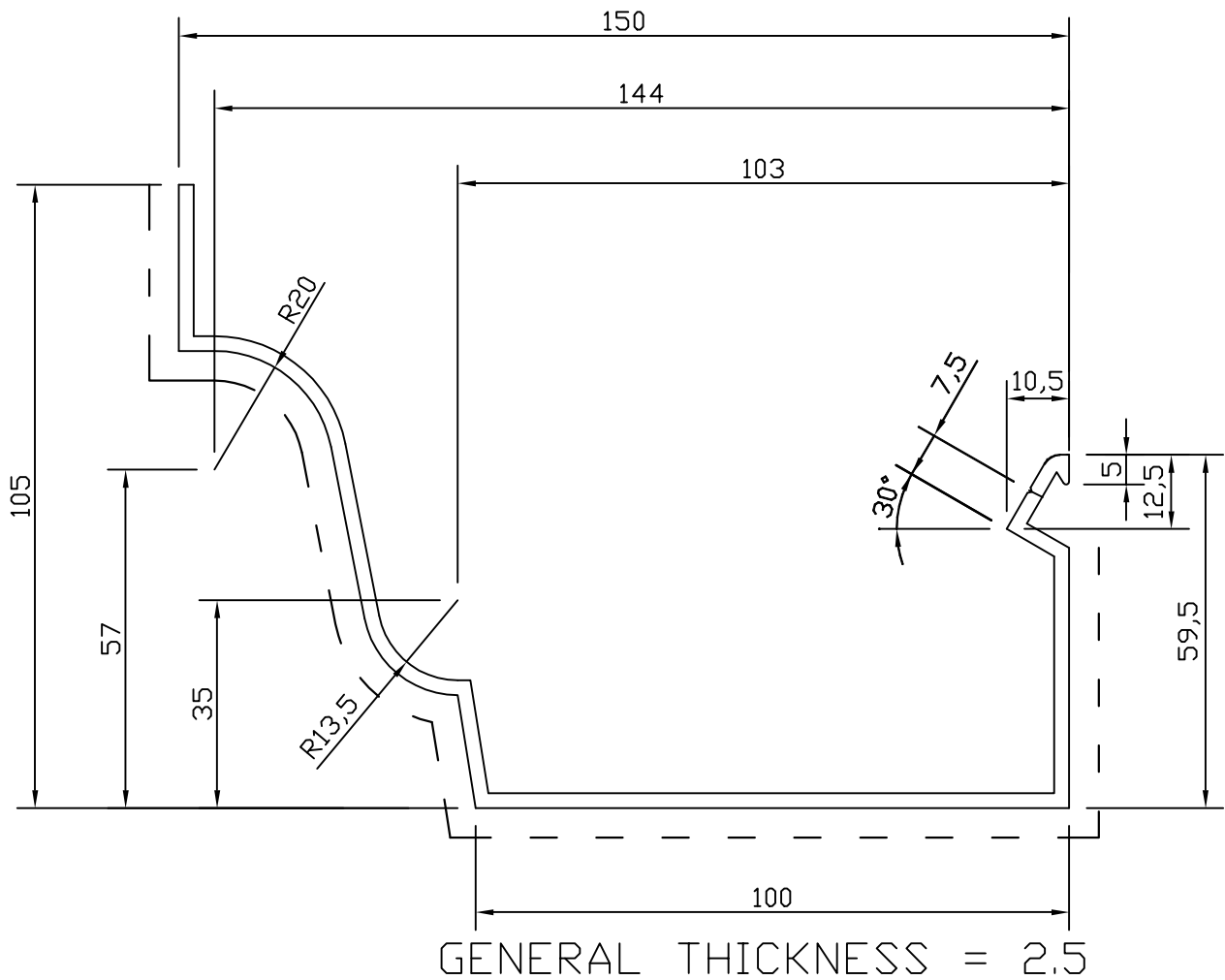
3.7 = Dia I/D

7.5 = Dia O/D


60° = OPENING

PRODUCT DESCRIPTION ALUMINIUM GUTTERING	DRAWN BY CJR	SCALE 1: At A4
	DATE 14.01.08	Rev. NEW
	TEL 01246 856000	DRAWING No. 16148
	FAX 01246 855105	FILE NAME DIE DRAWING

© AM PROFILES LIMITED
 THIS DRAWING IS THE SUBJECT OF COPYRIGHT WHICH VESTS
 IN AM PROFILES LIMITED. IT IS AN INFRINGEMENT OF COPYRIGHT
 TO REPRODUCE THIS DRAWING BY WHATEVER MEANS, INCLUDING
 ELECTRONIC, WITHOUT THE EXPRESS WRITTEN CONSENT OF
 AM PROFILES LIMITED.
 ALL RIGHTS RESERVED.



$r = 0.5$
 $R = 3$
 $V = \sqrt{EE} \ 0.75Dp.$
 $\times 90^\circ$

PRODUCT DESCRIPTION ALUMINIUM GUTTERING	DRAWN BY CJR	SCALE 1: At A4
	DATE 14.01.08	Rev. NEW
	TEL 01246 856000 FAX 01246 855105	DRAWING No. 16149
	FILE NAME DIE DRAWING	

© AM PROFILES LIMITED
 THIS DRAWING IS THE SUBJECT OF COPYRIGHT WHICH VESTS
 IN AM PROFILES LIMITED. IT IS AN INFRINGEMENT OF COPYRIGHT
 TO REPRODUCE THIS DRAWING BY WHATEVER MEANS, INCLUDING
 ELECTRONIC, WITHOUT THE EXPRESS WRITTEN CONSENT OF
 AM PROFILES LIMITED.
 ALL RIGHTS RESERVED.